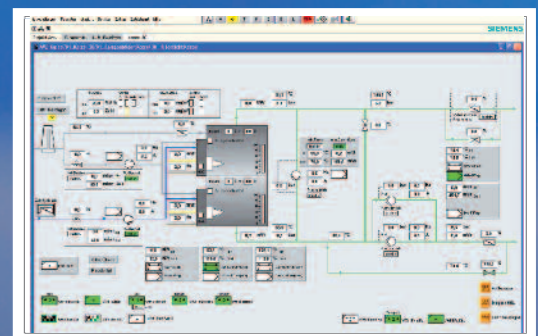


Industrial Automation



A strong partner. Without question.

www.suatec.com



Engineering is our speciality, control technology is our strong point



From inspiration to implementation – we can optimise your system performance, increase efficiency and production, and lower construction and development costs through co-operation from the very beginning.

SUATEC GmbH is more than technology and know-how. We are a team. We combine our expertise, our experience and extensive industry knowledge. For the benefit of our customers. Because we provide complete services from a single source.

WE PROVIDE:

- Engineering from concept to commissioning
- Software creation and development for automation solutions, drive, visualisation and control systems
- Control cabinet design – including stainless steel enclosure in accordance with the Hygiene Directive
- Comprehensive services such as analysis, optimisation, maintenance as well as the integration of mechatronic components
- Support in the implementation of the Machinery Directive

OUR CUSTOM SYSTEMS ARE PRIMARILY USED IN:

- Food technology
- Energy technology
- Industrial automation

CROSS-INDUSTRY BENEFIT:

- Our well-founded, evolved and extensive application knowledge from a single source
- Quality via defined processes
- Our own test facilities
 - For intensive testing over and above the standard specifications (e.g. via programmable test processes)
 - For quality assurance
 - For saving costs and time
- Reliable commissioning

INDUSTRIAL AUTOMATION

Automation all technical areas is our core competence. Wherever energy is needed we can sustainably organise efficient workflows and provide intelligent solutions. Whether in energy distribution in medium or low voltage switchgear or in energy production.

Our know-how is cross-sector.

We understand your processes. And implement your requirements in automation. We do this in different sectors, in different sizes. For instance in

- Transport systems
- Machining processes
- Production systems
- Energy production systems

But we can do even more. Put us to the challenge.

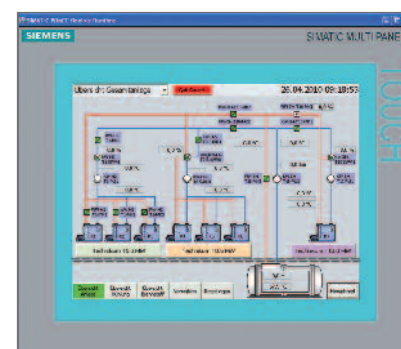
Our control technology, plant automation, state-of-the-art process control technology and commissioning represents a maximum degree of safety. We can provide the entire spectrum, but also support in sub-areas such as planning, design, programming and service.

OUR SPECIFIC SERVICES:

- Consulting and offer preparation
- Electrical design
- ePlan Electric P8
- Control cabinet design
- Programming, automation
- Development of operating, visualisation and control systems with data archiving

As a Siemens Solution Partner, we operate cross-sector. Worldwide. And our flexibility is great. We can also adapt to all other popular programming systems. Depending on the requirements of our customers. They include:

- Municipal utilities and energy providers
- Automobile industry
- Food and luxury food industry
- Chemicals industry
- Consumer goods industry
- Paper industry
- Maritime technologies



We see ourselves as a full service provider.

From the beginning of planning to commissioning and training of operating staff.